

D

C

B

A

Overall Length $\pm 1\%$

4 X Tap 1/2" @ 90deg

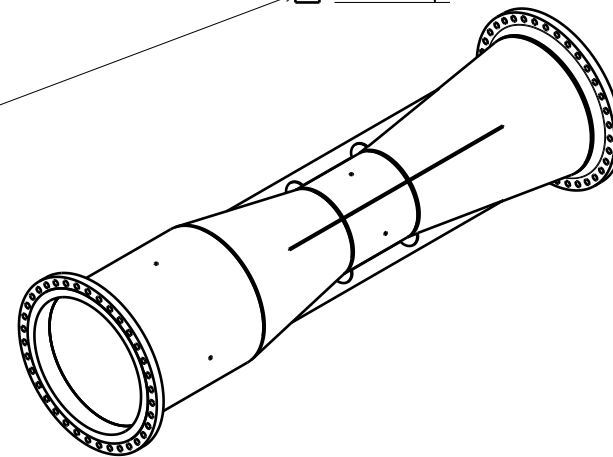
XXX

XXX mm

$\phi XXX \pm 1$ mm

Flange XX" XXX#

ϕ Flanged/ Welded



Tag No.:

NO.	Description	Size/Type
1	Process Conn.	
2	Pipe	
3	Pipe Thickness	

NO.	Instruments	Material
1	Body	
2	Flange	

DESCRIPTION:

Venturi Tube

QTY.:1pc

DRAWN BY: MS.Salari 8/12/2023
 CHECKED BY: MR.Ghasemi 8/12/2023
 DESIGNED BY: MR.Zalpour 8/12/2023

SCALE: N / A

PURCHASE:
 Rayan Farayand

NOTE:
 Drawing Not to Scale
 Unit: mm

REV.:00



ARAMAK SANAT HOOSHMAND

WWW.ARAMAKCO.COM

EMAIL: SAES@ARAMAKCO.COM

D

C

B

A

4

4

3

3

2

2

1

1