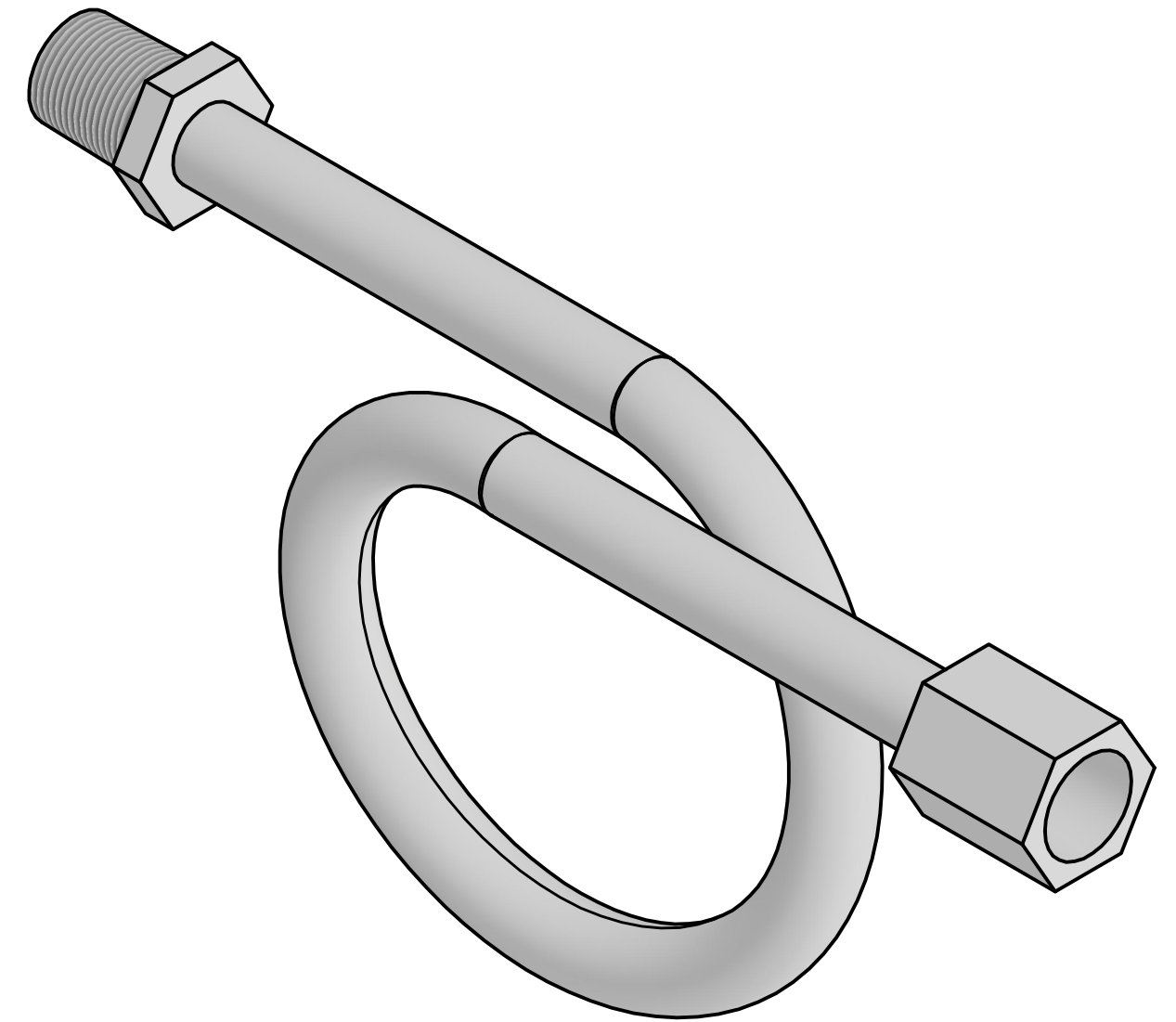
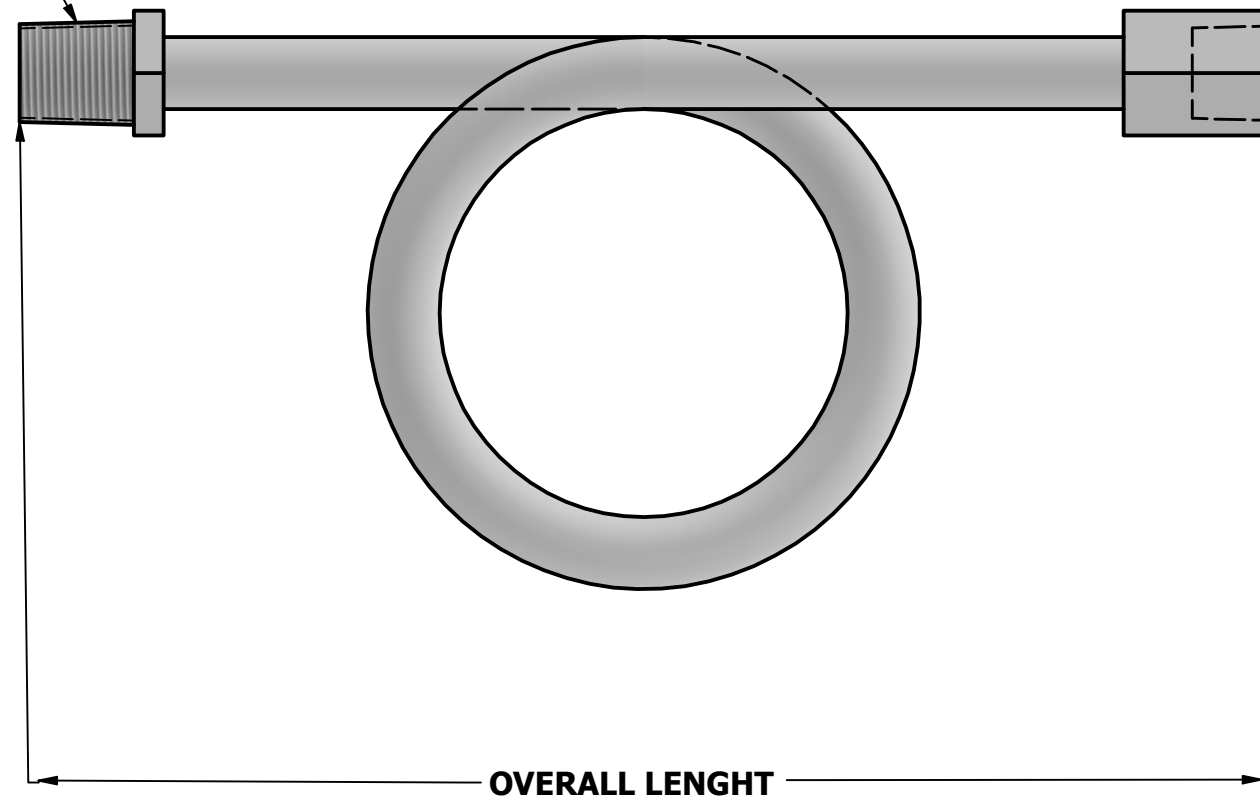


NO.	QTY.	DESCRIPTION	LENGHT	MATERIAL
1		SYPHONE		S.S 316

THREADED CONNECTION



DESCRIPTION:

**SYPHONE**

DRAWN BY: **MR.Yadegary**  
 CHEKED BY: **MR.Zarrineh**  
 DESIGNED BY: **MR.zalpour**

2024/12/16  
 2024/12/16  
 2024/12/16

PURCHASE:

NOTE:  
 Drawing no t to scale  
 Unit:mm

Rev:00

WWW.ARAMAKCO.COM



**ARAMAK SANAT HOOSHMAND**

EMAIL: SALES@ARAMAKCO.COM