

D

C

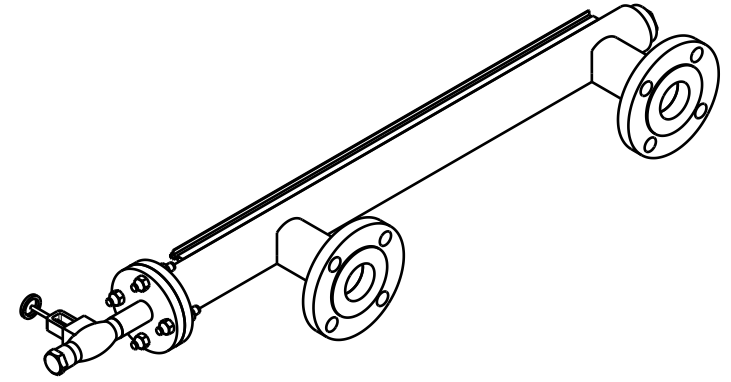
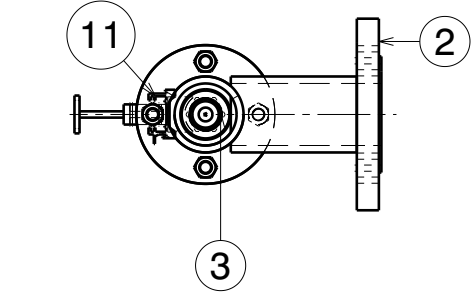
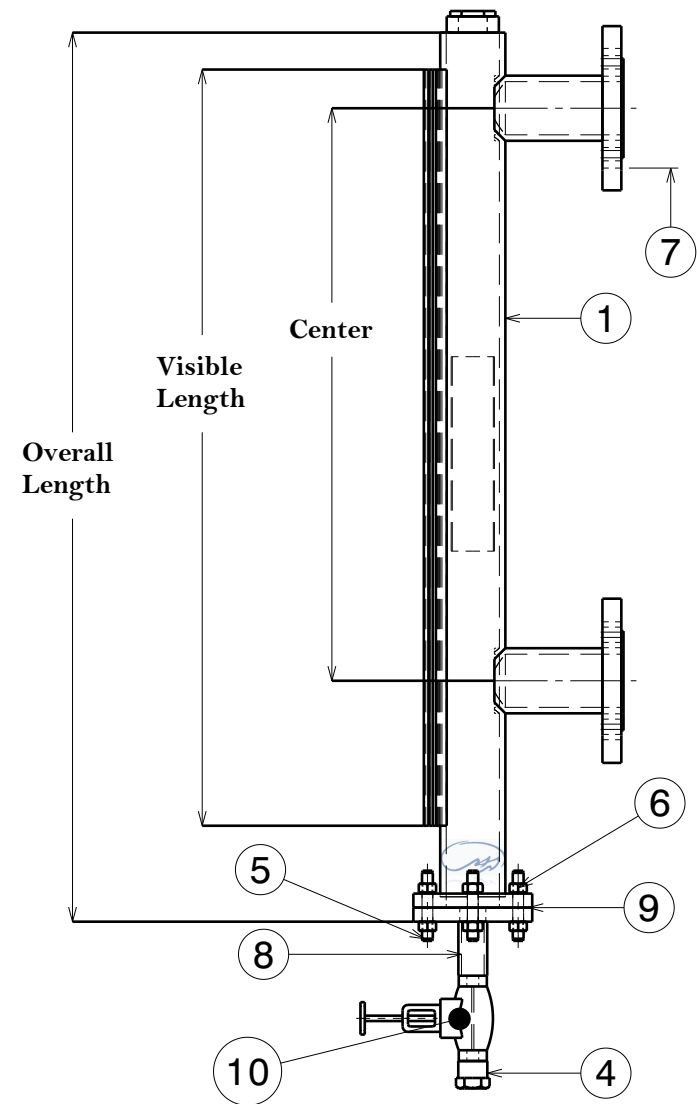
B

A

| NO | Name of Part |
|----|----------------|
| 1 | Stand Pipe |
| 2 | Flange |
| 3 | Float |
| 4 | Plug |
| 5 | Stud |
| 6 | Nut |
| 7 | Process Flange |
| 8 | Nipple |
| 9 | Gasket |
| 10 | Ball Valve |
| 11 | Indicator |

Body Matt.:
 Float Matt.:

Density:
 C-C Length:
 Visible Length:
 Flanged Size:
 Flanged Rating:
 Vent Valve:
 Drain Valve:
 Isolating Valve:
 Qty.:



DESCRIPTION:

Magnetic Level Gauge



ARAMAK SANAT HOOSHMAND

DRAWN BY: MS.Salari 1/22/2023
 CHECKED BY: MR.Ghasemi 1/28/2023
 DESIGNED BY: MR.Zalpour 1/23/2023
 SCALE: N / A

PURCHASE:

NOTE:
 Drawing Not to Scale
 Unit: mm
 REV:0

WWW.ARAMAKCO.COM
 EMAIL: Info@ARAMAKCO.COM

D

C

B

A

4

4

3

3

2

2

1

1